

# WAE SERIES Commercial Lighting

LED ECONOMY WRAP-AROUND FIXTURES

WAE-2FT-MCT-DD

**WESTGATE**  
THE FUTURE IS HERE...AND IT'S QUITE BRIGHT!

Customer Name: \_\_\_\_\_

Project Name: \_\_\_\_\_

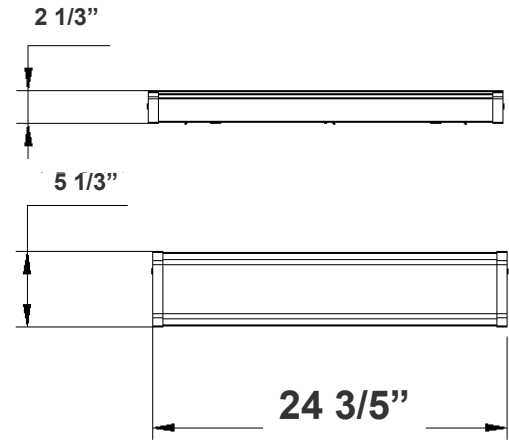
Note: \_\_\_\_\_

Type: \_\_\_\_\_



**MCT<sub>3</sub>**

LED Economy Wrap-around fixtures are ideal for a variety of industrial, commercial and residential applications.



24 3/5"(L) x 5 1/3"(W) x 21 1/3"(H)

## Features

- Housing: Die-formed Cold Rolled Steel With Powder Coated White
- Installation: Ceiling-Mounted
- Lens: Polycarbonate Lens
- MCT: Multi Color Temperature (Selectable Switch Inside Fixture)

## Technical Specifications

### Electrical:

- Voltage: 120-277V AC 60Hz
- Wattage: 20W
- Power Factor: >0.99
- Efficacy: 80 LPW

### Mechanical:

- White Finish
- Housing: Die-formed Cold Rolled Steel With Powder Coated White
- Installation: Ceiling-Mounted
- Operating temperature: -22°F~104°F
- 5-Year Warranty

### Lighting:

- Dimming: (Dual Function) Triac Dimmable at 120V & 0-10V Dimming at 120-277V
- Lens: Polycarbonate Lens
- Total Lumens: 1600LM
- Color Temperatures: 3000K/4000K/5000K
- Multi-CCT (Selectable switch inside fixture)
- Color Rendering Index: CRI ≥ 82
- Life Span: 50,000 hrs.

### Applications:

- Ideal for a Variety of Industrial, Commercial and Residential Applications.

### Other Models:

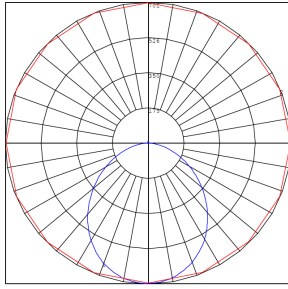
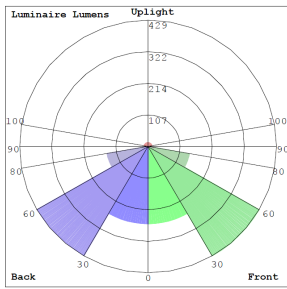
- 40W | 3200LM | WAE-4FT-MCT-DT



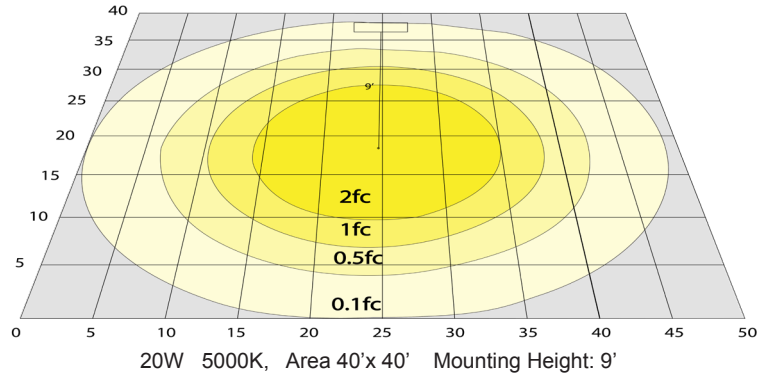
Phone: (877) 805-2252 | Fax: (877) 805-2252  
www.westgatemfg.com



## Photometrics: WAE-2FT-MCT-DD



BUD Rating: B1-U2-G1



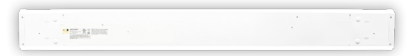
## Other Views:



Side View



Front View



Back View

## Performance Table: WAE-2FT-MCT-DD

MODEL NO.	Wattage	Voltage	Lumens	Color Temp.	BUG Rating	LPW
WAE-2FT-MCT-DD	20W	120~277V	1600LM	3000K 4000K 5000K	B1-U3-G1	80

## Sample Ordering

Model Size Color Temp. Dimming

WAE - 2FT - MCT - DD

## Accessories:

Blank = No Option For Accessories

SCL-CSY1-6FT= ADJ. 6FT 1/16in SINGLE SUSPENSION 5in CANOPY SET WITH Y DOUBLE KEYHOLE END CONNECTORS, NONPOWER SIDE

SCL-CSY1P-6FT = ADJ. 6FT 1/16in SINGLE SUSPENSION 5in CANOPY SET WITH Y DOUBLE KEYHOLE END CONNECTORS, POWER SIDE WITH SJTW18/5 WHITE CORD

WEC-3RC = OPTIONAL REMOTE CONTROL

## Factory-Installed Options:

Blank = No Option For Accessories

OPT-EM-FM1INT= INTERNAL EMERGENCY BACKUP BATTERY

OPT-2P-58= PIR SENSOR (Not remote capable)

OPT-SEN-2MDR-36 = INTERNAL PROGRAMMABLE MICROWAVE BI-LEVEL

## ACCESSORIES:



SCL-CSY1-6FT

SCL-CSY1P-6FT

WEC-3RC

## FACTORY-INSTALLED OPTIONS:



OPT-EM-FM1INT

OPT-SEN-2MDR-36

